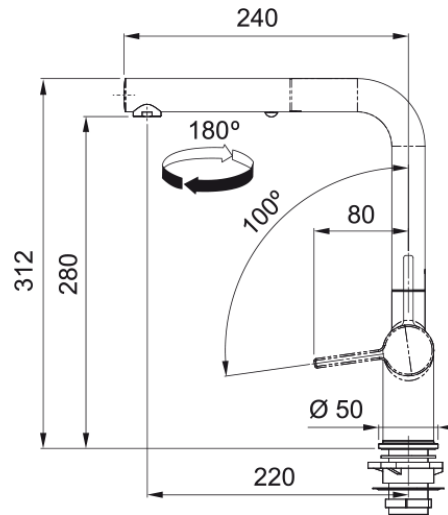


Tap Active L pull out 2 jets CHR | 115.0653.379



Technical Data

Product Information

Spout version	L - spout
Color	Chrome
Type of material	Brass
Flexible pullout hose material	Nylon grey
Shower material	Brass

Dimensions

Tap hole diameter	35 mm
Cartridge dimension	35 mm

Installation

Fixation type	Shank
Water supply hose connection	3/8"
Flexible pull-out length	450 mm

Product specifications

Pressure	High pressure
Version	Spray
Tap operation	Side lever
Tap rotation	180°

Product Identification

Product brand	FRANKE
Product family	Maris
Model range	Active

Properties

Eco water saving	Yes
Type of aerator	Laminar